

LF21X451

WOOFER

DESCRIPTION

The LF21X451 low frequency transducer is the result of many years of R&D developments with the goal of creating new levels of professional audio performance standards. This product's features advancements and improvements in all the key areas of transducer technology. Incredibly linear frequency response characteristics, the highest power handling of any comparable transducer, the lowest power compression. The LF21X451 features a fibre loaded cone assembly along with a high excursion triple roll, constant geometry surround: this combination provides remarkable strength and a peak to peak maximum excursion of 54 mm. The new dual forced hyper-venting system guarantees a very efficient voice coil ventilation for minimum power compression and incredible power handling.



FEATURES

- 4,5 - inch fiberglass Inside/Outside copper voice coil
- 4000 Watt continuous program power handling
- 97 dB Sensitivity
- 28 Hz - 1 kHz Frequency range
- Dual-forced air ventilation for minimum power compression
- Dual spider designed with silicon based damping control
- BL of 30.5 Txm to provide a faster and accurate low frequency

TECHNICAL SPECIFICATIONS

General specifications

Nominal Diameter:	21 inch / 533 mm
Rated Impedance:	8 ohm
Program Power (watt):	4000 W
Power handling capacity:	2000 W
Sensitivity:	97.0 dB
Frequency range:	28 - 1000 Hz
Effective piston diameter:	470 mm / 18.5 inch
Max. Excursion Before Damage:	54 mm / 2.13 inch
Minimum Impedance (ohm):	6.7 ohm
Voice Coil Diameter:	4.5 inch / 114 mm
Voice Coil Winding Material:	Copper
Voice Coil Length:	34 mm / 1.34 inch
Number of layers:	2
Kind of layers:	inside/outside
Top Plate Thickness:	15 mm / 0.59 inch
Cone Design:	Curved
Surround Material:	Polycotton
Surround Design:	Triple roll
Magnets:	Ceramic
Dual-force air ventilation:	Yes
Spider:	Dual with silicon based damping control

Thiele - small parameters

Resonance frequency (Fs):	28 Hz
DC resistance (Re) (ohm):	5.40 ohm
Mechanical factor:	6.90 Qms
Electrical factor:	0.39 Qes
Total factor:	0.37 Qts
Bl factor (Bl) (T x m):	30.50 T x m
Effective moving mass (Mms):	355.0 g
Equivalent Cas air loaded (Vas):	385.0 liters
Effettive piston area (Sd):	0.170 m ²
Max. linear excursion (Xmax):	14.0 mm
Voice coil inductance @ 1kHz (Le1k):	2.90 mH
Half-space efficiency (Eff):	2.20%

Mounting informations

Overall diameter:	547 mm / 21.54 inches
Bolt circle diameter:	527 mm / 20.75 inch
Bolt hole diameter:	7 mm / 0.28 inch
Front mount baffle cut-out:	512 mm / 20.16 inch
Rear mount baffle cut-out:	512 mm / 20.16 inch
Volume occupied by the driver:	6.5 liters / 0.26 ft ³

Standard compliance

CE marking:	Yes
-------------	-----

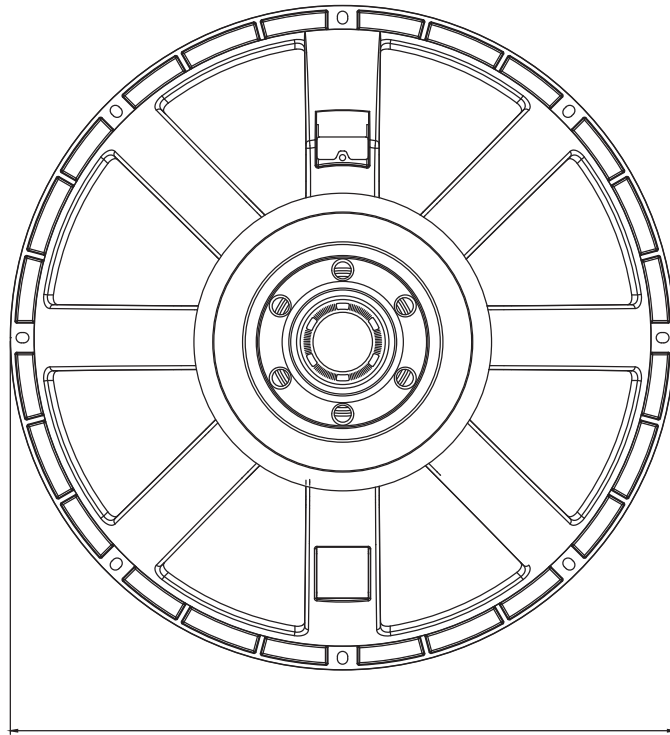


Size	Height:	245 mm / 9.65 inches
	Diameter:	547 mm / 21.54 inches
	Weight:	15.5 kg / 34.17 lbs

Shipping informations	Package Height:	284 mm / 11.18 inches
	Package Width:	584 mm / 22.99 inches
	Package Depth:	604 mm / 23.78 inches
	Package Weight:	18.5 kg / 40.79 lbs

PART NUMBER

- **11100092**
LF21X451



ø 547 mm

